



**FLOURIN**  
SANITARY WARE  
1992



**Flourin Sanitary Ware**

Our goal is to work hard to be the most satisfactory sanitary ware provider for all clients, and we believe we will do better with your support.

**INTEGRITY**

**CRAFTSMANSHIP**

**EXCELLENCE**

## Flourin Sanitary Ware

A one-stop provider of sanitaryware, bathroom cabinets and hardware fittings

### WHY CHOOSE US

**Manufacturing Power:** 30+ years of factory expertise in Chaozhou with vertically integrated production.

**Certified Quality:** Global compliance (CE, cUPC) featuring rimless technology and UF soft-close seats.

**Export Excellence:** Proven 40HQ logistics efficiency and professional B2B service for global importers.

## Who We Are

### 1996

The Journey Begins. Started as a specialized ceramic workshop for premium aquariums and flowerpots

### 2003

Strategic Pivot. Successfully transitioned into the sanitary ware industry, establishing our first specialized production base

### 2010

Going Global. Established the International Business Department, exporting high-quality ceramics to Southeast Asia and Europe

### 2016

Industrial Scaling. Launched our second production base with advanced shuttle kilns to meet surging global demand

### 2022

Smart Manufacturing. Upgraded to fully automated glazing lines

### Today

A vertically integrated leader in B2B sanitary ware, serving partners in 50+ countries

我们的目标是竭尽全力成为所有客户最满意的卫浴产品供应商, 我们相信每个客户的意见将使我们变得更好。

Our goal is to work hard to be the most satisfactory sanitary ware provider for all clients, and we believe we will do better with your support.



**Scale & Speed**

**Production Base:**  
Over 10,000 m<sup>2</sup> of advanced manufacturing facilities.

**Warehousing:**  
10,000m<sup>2</sup> storage capacity ensures rapid response and stable supply.



**Expertise & Dedicated Team**

**Workforce:**  
400+ Flouriner working in synergy to secure every order.

**QC Precision:**  
A professional QC team ensures every product meets your standards.



**Advanced Manufacturing**

**Multi-Kiln System:**  
Multiple kilns ensure quality across diverse product categories.

**100 Meter Tunnel Kiln:**  
A core fully auto tunnel kiln guarantees the capacity to meet your demand.



**Raw Materials & Casting**

**Quality Begins at the Source.** We strictly select premium kaolin clay, processed through 24-hour constant-temperature aging to ensure a refined and uniform slurry, laying a solid foundation for every piece of sanitary ware.



**Precision Molding & Craftsmanship**

**Craftsmanship Beyond Standards.** With hundreds of precision molds organized for large-scale production, every green body undergoes meticulous hand-finishing by skilled artisans after de-molding to ensure smooth lines and precise dimensions.

**Quadruple Glazing Process**

**Quadruple Glazing for Lasting Brilliance.** Utilizing comprehensive glazing technology, we ensure the surface and internal traps are fully coated with a dense glaze. Acid-resistant and anti-fouling, it makes cleaning effortless.

**WELCOME TO OUR SHOWROOM & PRODUCTION**



**Comprehensive QC System**

**21 Stringent Steps for Zero-Defect Delivery.** From raw materials to final loading, we implement 3 clay body inspections, 2 ceramic quality checks, and 100% water flushing tests to ensure no defect ever reaches the market.



## OUR PRODUCT UNIVERSE

### Comprehensive Sanitary Solutions for Global Projects

From minimalist residential bathrooms to high-traffic commercial projects, Flourin offers a full spectrum of sanitary ware. Our collections combine water-saving technology, ergonomic design, and durable ceramic craftsmanship to define the modern bathroom experience.

### Water Closet Collections



#### One-Piece Toilets

Seamless design with powerful Tornado flushing



#### Close-Coupled Toilets

Reliable performance



#### Wall-Hung / Floor Standing Toilets & Bidets

Minimalist aesthetics



#### Smart Toilets

Intelligent hygiene featuring auto-flush and heated seating

### Washbasin Collections



#### Countertop Washbasin

Artistic Options



#### Wall-Hung Washbasin

Space Saving



#### Undermount Washbasin

Versatile Sizes, Easy Clean



#### Pedestal Washbasin

Appropriate, flexible

Supports S-trap & P-trap for global plumbing compatibility.

Fired at 1280°C for superior ceramic density.

Self-cleaning surface with <0.5% water absorption.

Fully compliant with CE, cUPC, and WaterMark.

# Suite Collections

Close-Coupled Toilets

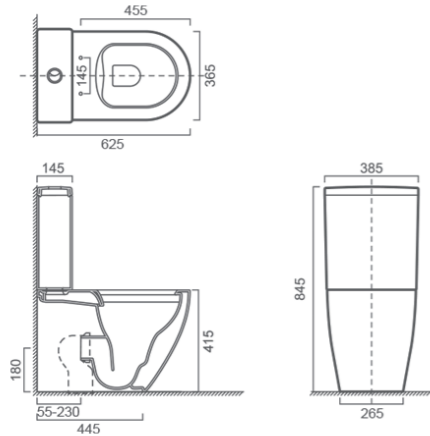
Wall Hung / Floor Standing Toilets

W / F Bedits

# FR24101

Two Piece Toilet

Size 625\*385\*845mm  
P-trap 180mm  
Flushing Rimless  
Vitreous china

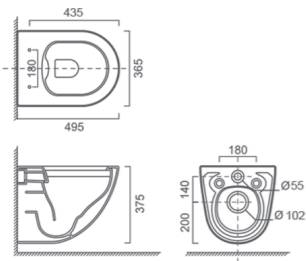


# SUITE COLLECTION AURA SERIES

# FR34101

Wall-hung Toilet

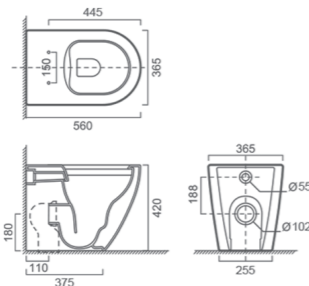
Size 495\*365\*375mm  
P-trap 180mm  
Flushing Rimless  
Vitreous china  
Fixing to wall with back



# FR44101

Floor Standing Toilet

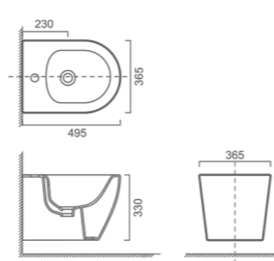
Size 560\*365\*420mm  
P-trap 180mm  
Flushing Rimless  
Vitreous china  
Fixing to wall with back



# FR54101

Wall-hung Bidet

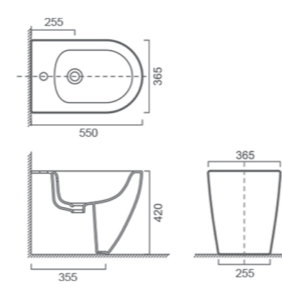
Size 495\*365\*330mm  
Vitreous china  
Fixing to wall with back



# FR64101

Floor Standing Bidet

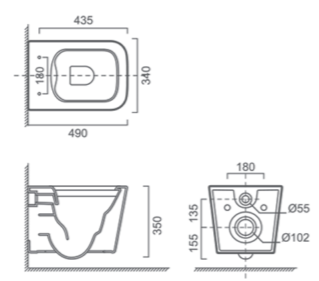
Size 560\*365\*420mm  
Vitreous china  
Fixing to wall with back



### FR34102

Wall-hung Toilet

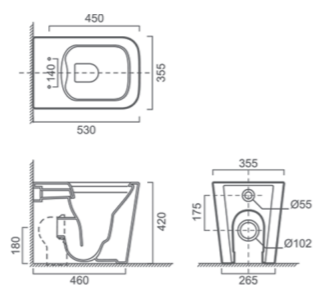
Size 490\*340\*350mm  
P-trap 180mm  
Flushing Rimless  
Vitreous china  
Fixing to wall with back



### FR44102

Floor Standing Toilet

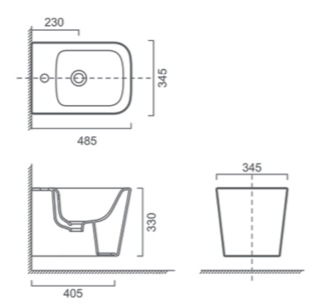
Size 530\*355\*420mm  
P-trap 180mm  
Flushing Rimless  
Vitreous china  
Fixing to wall with back



### FR54102

Wall-hung Bidet

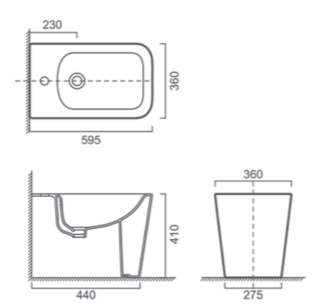
Size 485\*345\*330mm  
Vitreous china  
Fixing to wall with back



### FR64102

Floor Standing Bidet

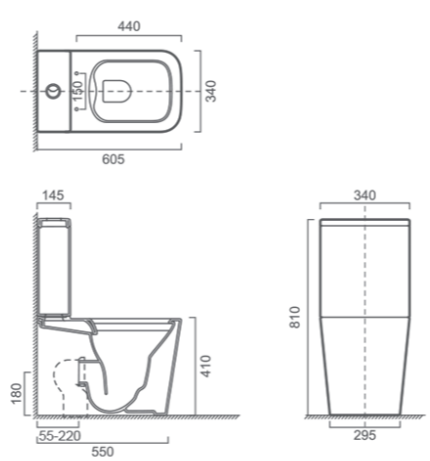
Size 595\*360\*410mm  
Vitreous china  
Fixing to wall with back



### FR24102

Two Piece Toilet

Size 605\*340\*810mm  
P-trap 180mm  
Flushing Rimless  
Vitreous china



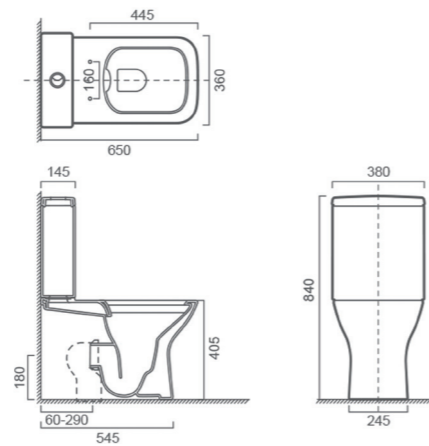
SUITE COLLECTION  
STONE SERIES

# SUITE COLLECTION GRACE SERIES

## FR24104

Two Piece Toilet

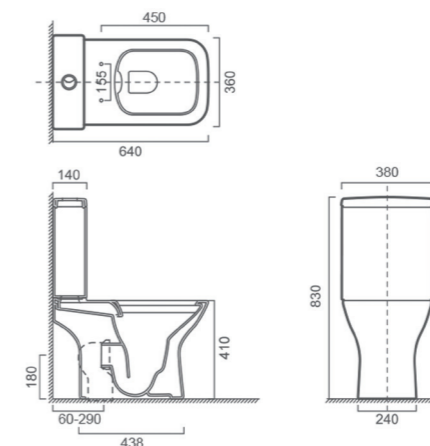
Size 650\*380\*840mm  
P-trap 180mm  
Flushing Rimless  
Vitreous china



## FR24104A

Two Piece Toilet

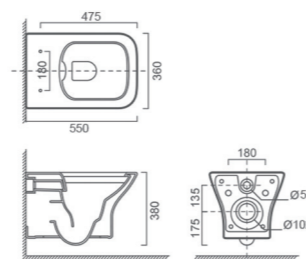
Size 640\*380\*830mm  
P-trap 180mm  
Flushing Rimless  
Vitreous china



## FR34104

Wall-hung Toilet

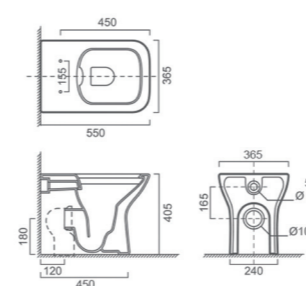
Size 550\*360\*380mm  
P-trap 180mm  
Flushing Rimless  
Vitreous china  
Fixing to wall with back



## FR44104

Floor Standing Toilet

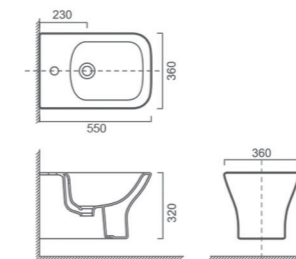
Size 550\*365\*405mm  
P-trap 180mm  
Flushing Rimless  
Vitreous china  
Fixing to wall with back



## FR54104

Wall-hung Bidet

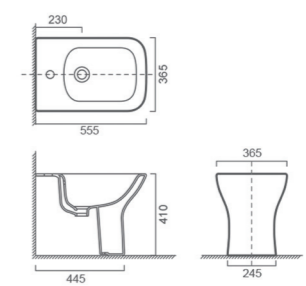
Size 550\*360\*320mm  
Vitreous china  
Fixing to wall with back



## FR64104

Floor Standing Bidet

Size 555\*365\*410mm  
Vitreous china  
Fixing to wall with back

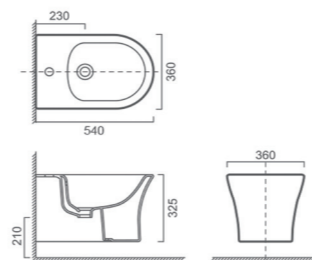


### FR54103

Wall-hung Bidet



Size 540\*360\*325mm  
Vitreous china  
Fixing to wall with back

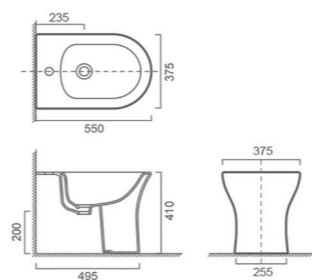


### FR64103

Floor Standing Bidet



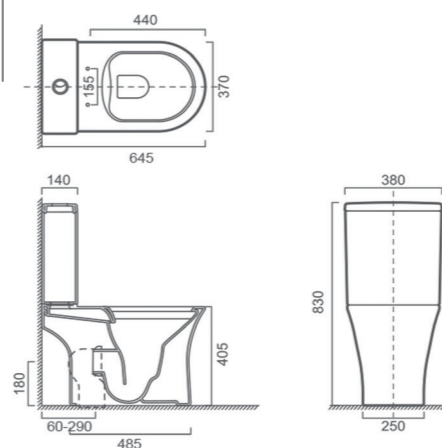
Size 550\*375\*410mm  
Vitreous china  
Fixing to wall with back



### FR24103A

Two Piece Toilet

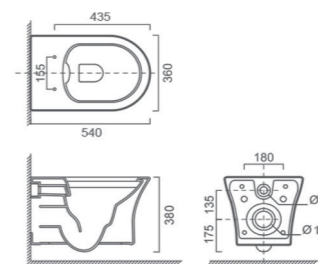
Size 640\*380\*830mm  
P-trap 180mm  
Flushing Rimless  
Vitreous china



### FR34103

Wall-hung Toilet

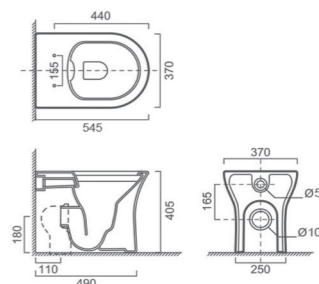
Size 540\*360\*380mm  
P-trap 180mm  
Flushing Rimless  
Vitreous china  
Fixing to wall with back



### FR44103

Floor Standing Toilet

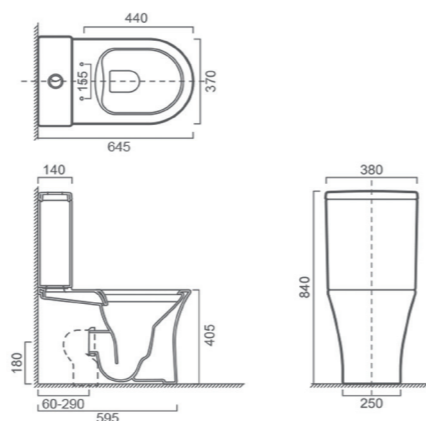
Size 545\*370\*405mm  
P-trap 180mm  
Flushing Rimless  
Vitreous china  
Fixing to wall with back



### FR24103

Two Piece Toilet

Size 645\*380\*840mm  
P-trap 180mm  
Flushing Rimless  
Vitreous china





Instagram - @Flourintech  
Facebook Pages - Flourin Sanitary Ware  
X - @Flourintech  
Linkedin - Flourin Sanitary Ware  
Wechat - 13192284681  
WhatsApp - +44 7541957248



T +86 13192284681  
E zibo@flourintech.com  
W www.flourintech.com

Headquartered in Guangdong, China  
GuWu Industrial Zone, Guxiang Town, Chaozhou City, 515647 P.R.CHINA

